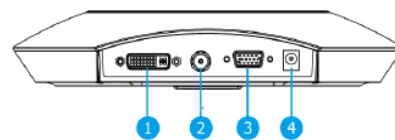
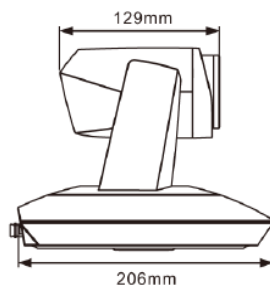
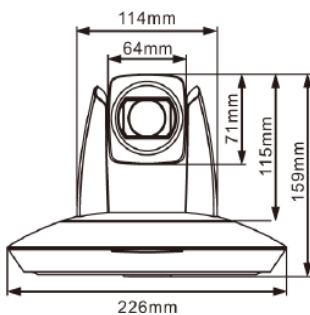




Features

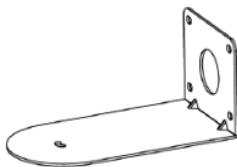
- ※ 1/2.8" EXMOR CMOS image sensor, up to 2.13MP
- ※ Simultaneously outputs of HD and SD videos
- ※ Video interface, DVI-I(for DVI-D, HDMI, YPbPr, VGA, 5-BNC etc.)HD-SDI
- ※ Control: RS-232 IN, RS-RS232OUT, RS-422/RS485
- ※ On-screen display menu with simple program
- ※ Has image flip function for stand and suspended installations
- ※ On-screen display menu with simple program
- ※ Has image flip function for stand and suspended installations
- ※ Support VISCA protocols, daisy chain
- ※ Come with IR remote controller
- ※ New design of PTZ mechanism with higher precision and reliability

Dimensional Drawing



- | | |
|----------|--------------------|
| 1 DVI-I | 3 Control and CVBS |
| 2 HD-SDI | 4 Power |

Accessories



Wall Bracket



Ceiling Plate

Technical Specification

Model No.	AMC-AS3003
Image Sensor	1/2.8" Exmor CMOS, 2.13MP
HD Signal Format	1080p/60,1080p/30,1080i/60,720p/60,720p/30,1080p/50,1080p/25,1080i/50,720p/50,720p/25 1080i/59.94,720p/59.94,1080p/29.97,720p/29.97
Focal	f = 4.3mm - 129mm
IRIS	F1.6 - F4.8
Zoom	Optical:30X, Digital:12X
Shortest Focus Distance	10 mm - 1,000mm
Field of View	63.7° - 2.3°
Focus	Auto, Manual, PTZ Trigger AF, One push
Min.Illumination	0.01Lux(Color), 0.0015Lux(B/W)
Shutter Speed	1/1 - 1/10,000s
AGC	Auto/Manual
BLC	Auto, Indoor, Outdoor, One push, Manual, Auto Track
AE Control	Auto, Manual, Shutter Priority, Aperture priority
S/N Ratio	Above 50dB
PTZ	
Pan Range	-170° - +170°
Tilt Range	-30° - +90°
Pan Speed	0.1° - +120°/s
Tilt Speed	0.1° - +90°/s
Preset Number	256
OSD	Yes
Image Flip	Yes
Interface	
HD Video Output Interface	DVI-I(for DVI-D,HDMI, YPbPr, VGA,5-BNC),HD-SDI
SD Video Output Interface	CVBS
Control Interface	RS-232IN, RS232-OUT, RS422/RS485
General	
Protocol	VISCA and Support Daisy Chain, PELCO-D, PELCO-P
Power Supply	DC12V
Spectra Address	0 - 63
Power Consumption	Below 15W
Working Temp	0°C - +40°C
Storage Temp	-20°C - +60°C
Dimension	226mm x 159mm x 206mm
Weight	1.7KG
Color	Grey/White

Product specification are subject to change without notice