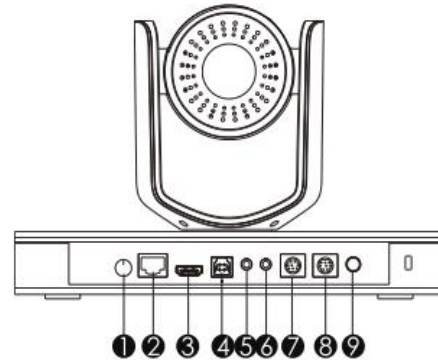




NDI HX3
Dante AV-H™
SRT



- ① DIP Switch
- ② LAN
- ③ HDMI
- ④ USB2.0
- ⑤ 3G-SDI
- ⑥ LINE IN
- ⑦ RS-232 IN
- ⑧ RS-232 OUT
- ⑨ DC 12V

Features

- Dual-cam design, simultaneous 4K UHD outputs of tracking cam and full-view cam
- Tracking cam: 12x optical zoom, HFOV up to 81°, max resolution 4KP60
- Full-view cam: 4K lens, HFOV 94°, no distortion
- Built-in advanced AI algorithm based on deep learning, to ensure stable tracking and precise posture recognition
- Board writing recognition based on pose estimation, giving clear view of writing content
- Rich tracking modes such as auto framing, zone tracking, lock-n-track, group tracking etc.
- Simultaneous outputs over HDMI, USB2.0, Ethernet, 3G-SDI, support POE
- Built-in Web UI for easy setting and control
- Support 59.94/29.97 frame rate

Technical Data

Tracking Camera

Image Sensor	1/2.8" 4K CMOS, 8.46MP
Focal	f = 3.4mm - 40.3mm
Iris	F1.8 - F3.6(Tele)
Zoom	12x optical zoom
HFOV	81° - 7.6°
Focus	Auto, Manual, PTZ Trigger, One Push Trigger
AGC	Auto/Manual
White Balance	Auto/Indoor/Outdoor/One Push/Manual/Static
AE Control	Auto/Manual/Shutter Priority/Iris Priority/Brightness Priority
Shutter Speed	1/50 - 1/10,000s

Full View Camera

Image Sensor	1/2.8" 4K CMOS, 8.46MP
White Balance	Auto
Exposure	Auto
Lens	f=2.8mm
HFOV	94°

PTZ

Pan	-130° - +130°, 0.2° - 80°/s
Tilt	-30° - +90°, 0.2° - 60°/s
Preset Number	256

Interface

HDMI	1 x HDMI with audio Output switchable between full-view cam and tracking cam: Max. 4KP30 Output only from tracking cam: Max. 4KP60 Support broadcast resolution: Max. 4KP59.94/P29.97
3G-SDI	1 x 3G-SDI with audio Output switchable between full-view cam and tracking cam: Max. 1080P60 Output only from tracking cam: Max. 1080P60 Support broadcast resolution: Max. 1080P59.94/P29.97
Network	10/100M RJ45 self-adaptive with POE H.264/H.265, support main and sub stream Output switchable between full-view cam and tracking cam: Max.4KP60 Support NDI HX3/Dante/AV-H/ONVIF/RTSP/RTMP/SRT/TCP/UDP/RTMPS/VISCA OVER IP Audio compression: AAC, G.711 Built-in Web UI
HDBaseT(Optional)	1 x HDBaseT(Optional) Output switchable between full-view cam and tracking cam: Max.4KP30 Output only from tracking cam: Max. 4KP60
USB	USB2.0 Type-B with UAC, UVC1.1 Output switchable between full-view cam and tracking cam: Max. 4KP30 UVC supports H.264/MJPEG
Audio Interface	1 x Line IN, 3.5mm
Control Interface	1 x RS-232 IN, 1 x RS-232 OUT
DIP Switch	Rotary DIP switch to define video format

*** Product Specification are subject to change without notice ***